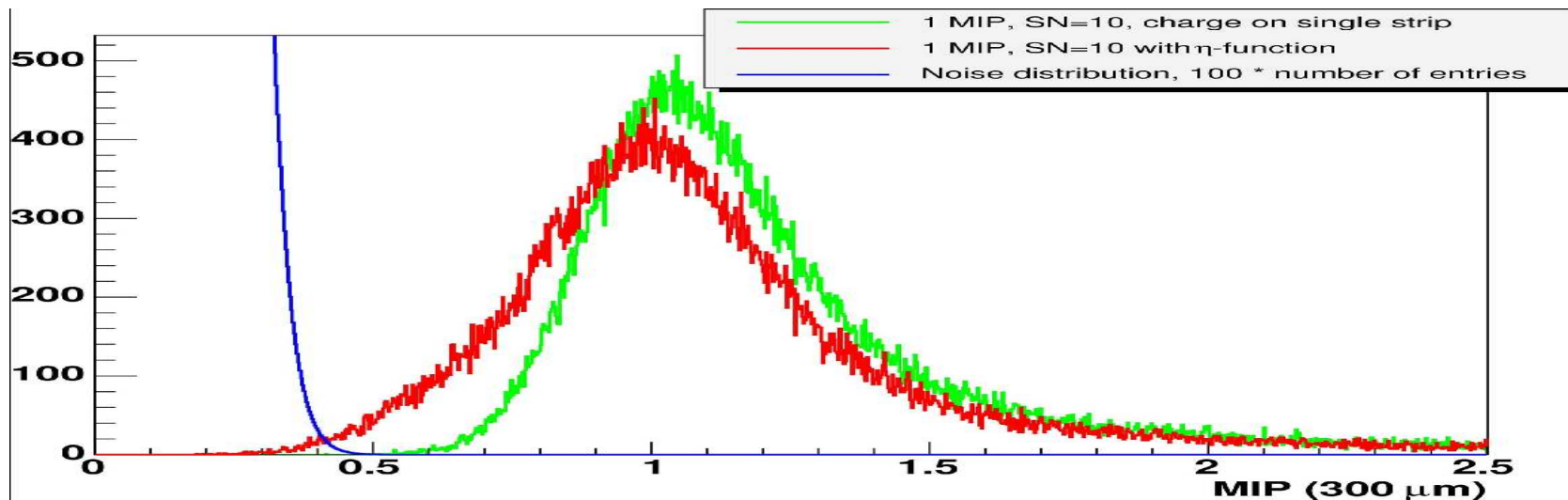


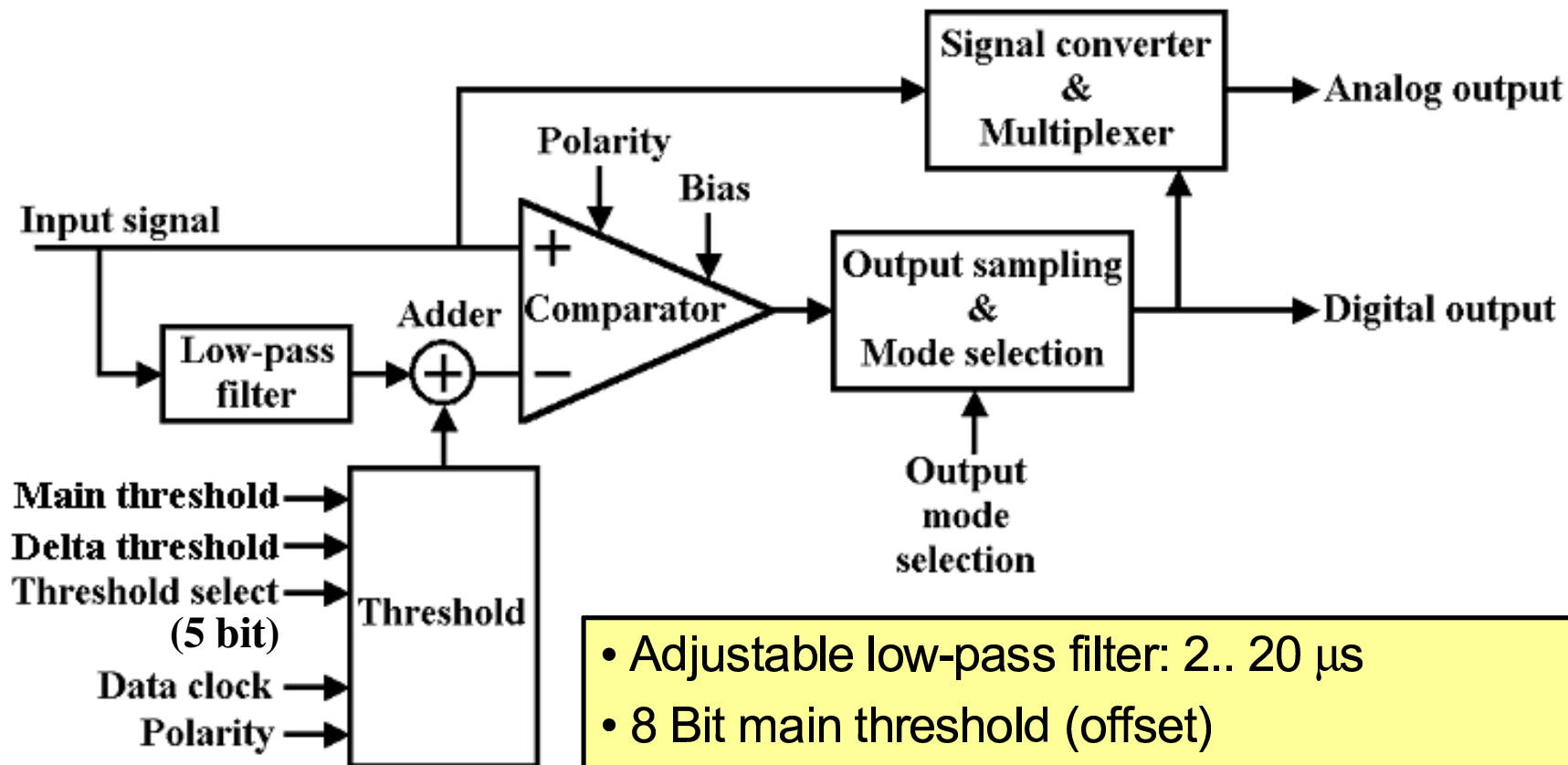
# Beetle 1.3/1.4 comparator

## Outline:

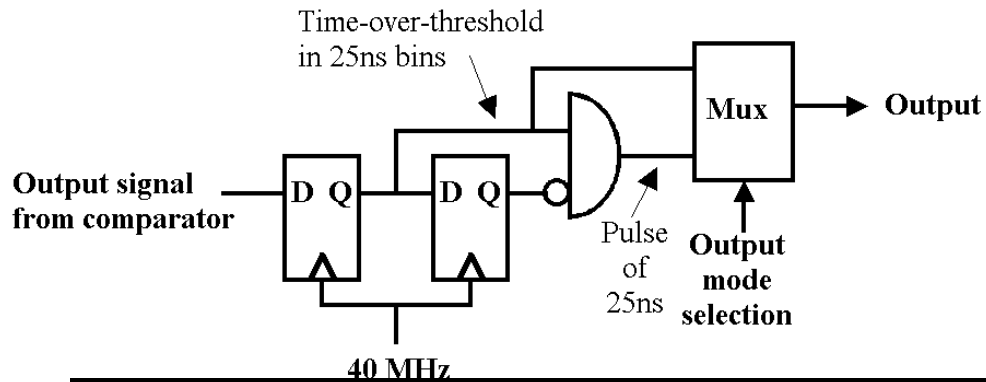
- Requirements
- Implementation
- Measurement results
- Limitation of version 1.3
- Design changes for version 1.4
- Conclusions

- Assumptions
  - 300  $\mu\text{m}$  thick silicon detectors => 22ke<sup>-</sup> per MIP
  - Minimum S/N = 10 (at end of life time)
  - Strip occupancy 1 %
- Requirements for pile-up veto
  - 100 % efficiency (charge sharing, worst case:  $\frac{1}{2}$  of signal on a strip)
  - Maximum contribution of noise hits: few %
  - Threshold step size better than 0.1 MIP

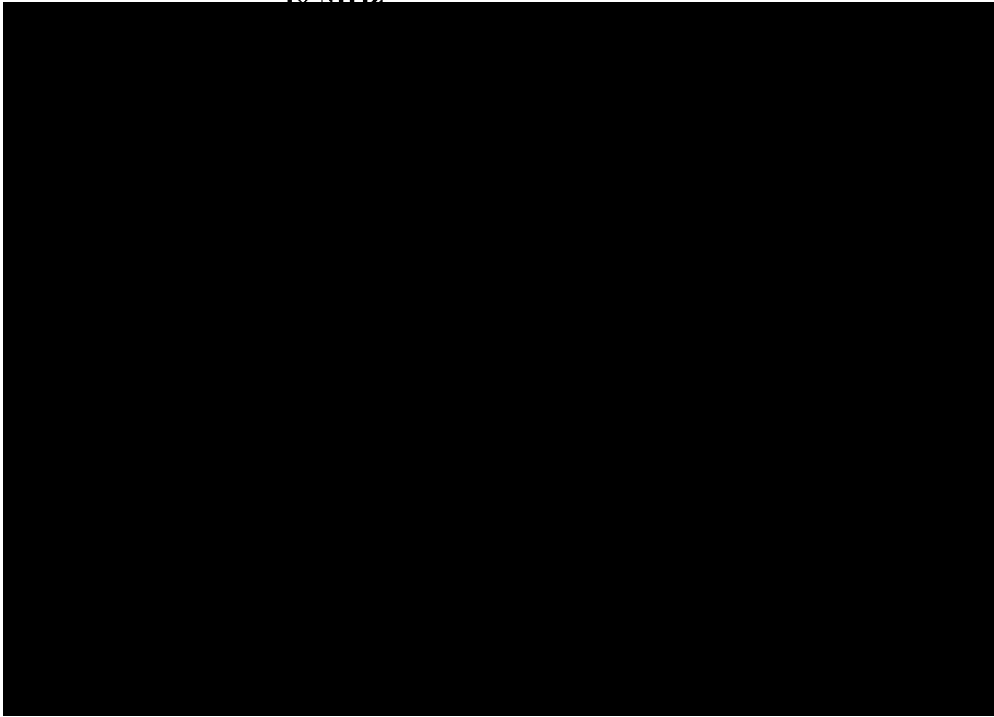




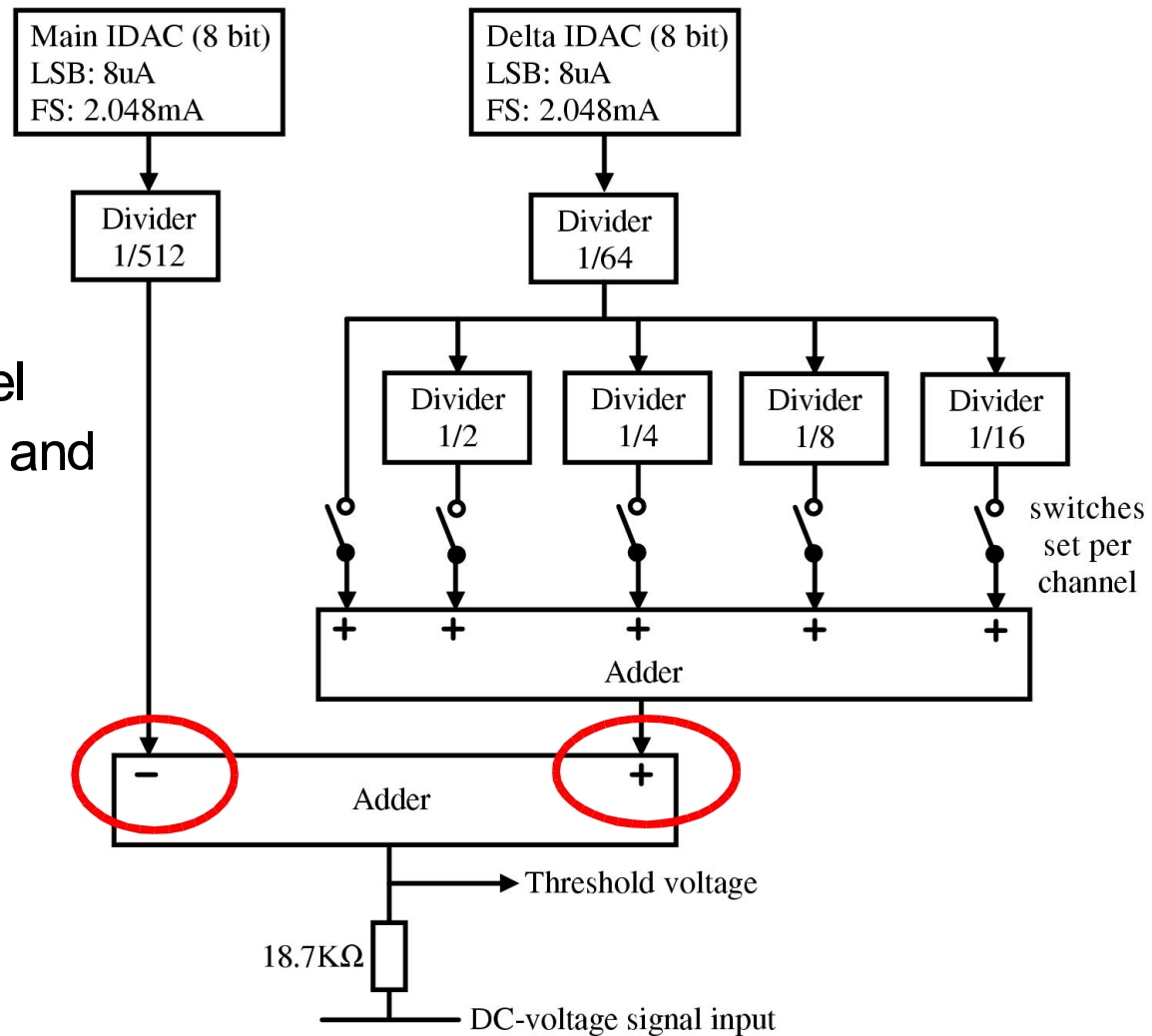
- Adjustable low-pass filter: 2.. 20  $\mu$ s
- 8 Bit main threshold (offset)
- 8 Bit delta threshold (threshold range)
- 5 Bit individual threshold
- Dual polarity
- 2 output modes: tracking or pulse mode
- Adapt digital signal to analogue pipeline level



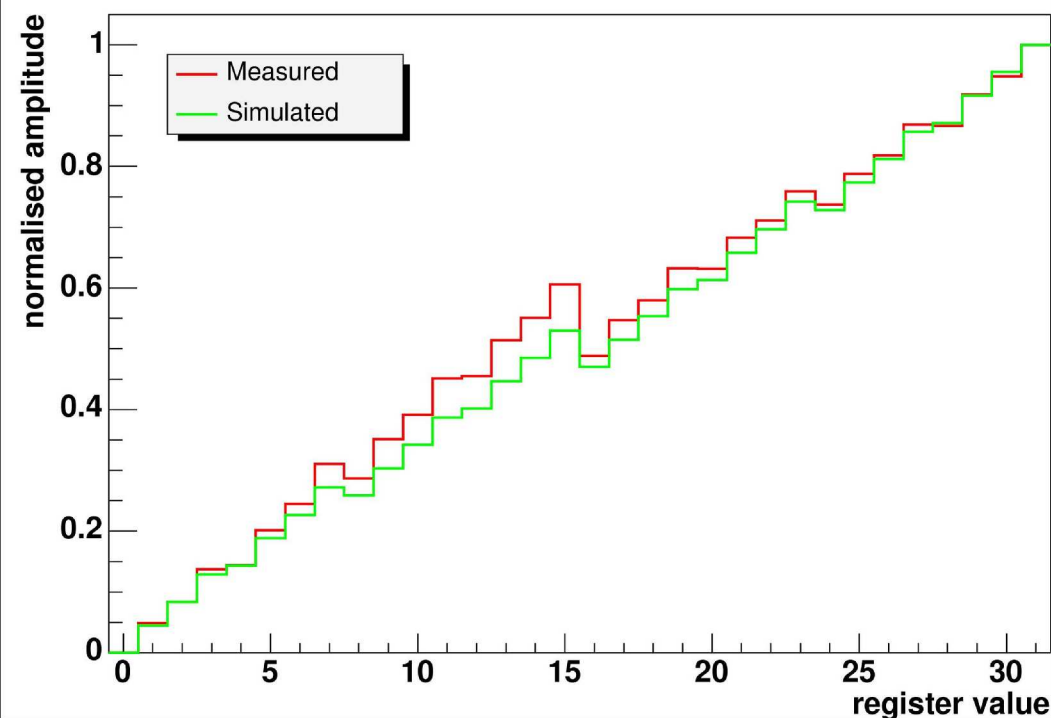
- 2 Output modes
  - Tracking mode (time over threshold)
  - Pulse mode (one clock period)



- 5 bit threshold per channel
- Opposite polarity of main and delta threshold
- Main threshold is only needed for offset compensation

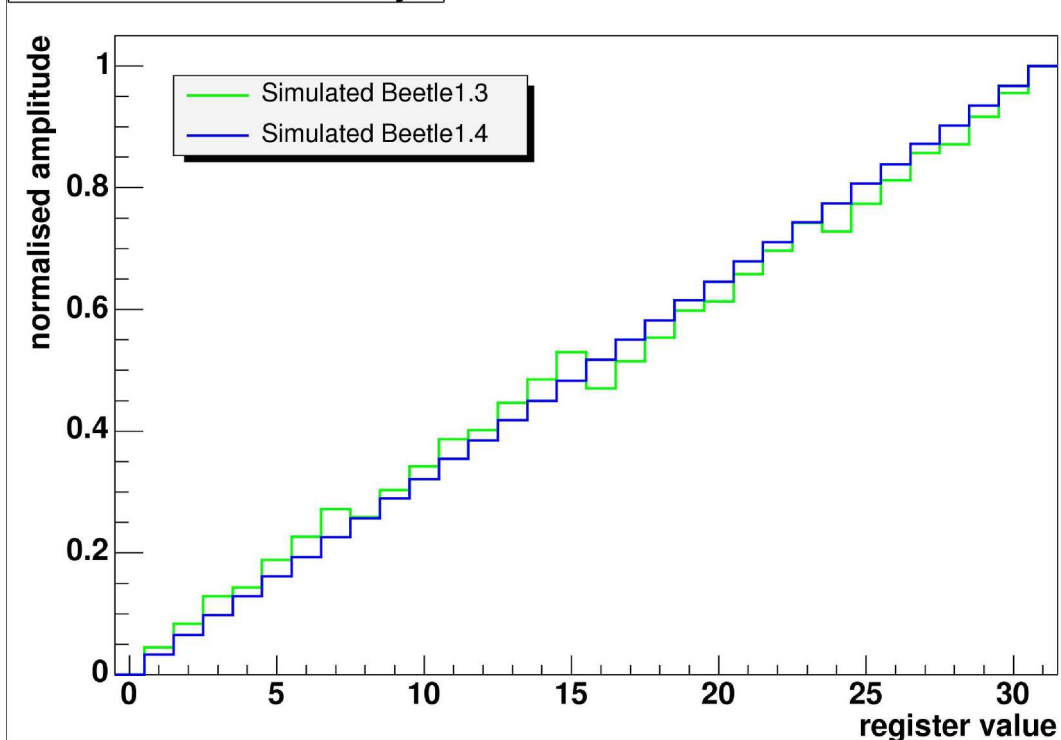


5-bit threshold linearity



- Scan 5-bit threshold using external testpulse
- Curves normalized at maximum
- Non-linearity “by design”
- 5 almost identical pairs
- Largest step 85% larger than nominal

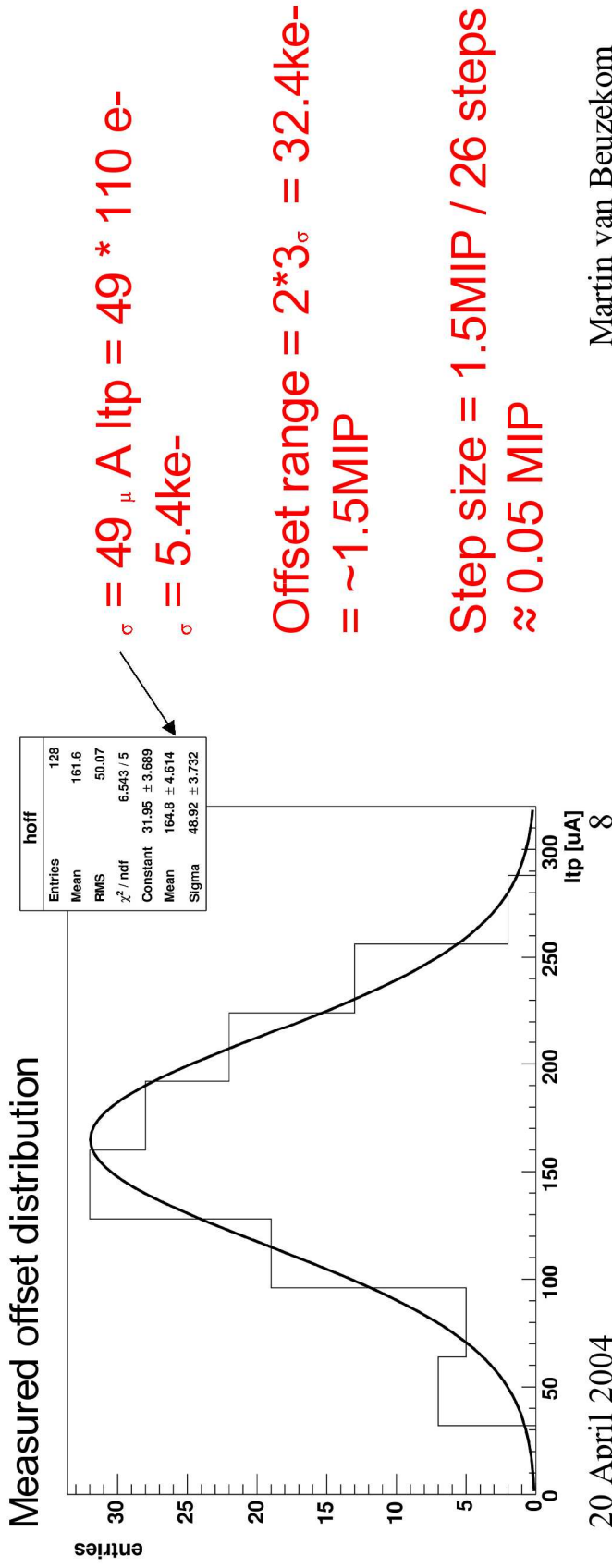
5-bit threshold linearity



- Beetle1.4: optimized threshold current divider

Large offset spread in chip:

- Offset spread due to variation in process parameters ( $V_{th}$ )
- Cannot be improved by simple design changes
- Offset spread determines threshold range
  - Threshold step size is a direct function of the range
  - Step size obtained with Beetle1.3  $\approx 0.05$  MIP (0.1 required)





In the following, we choose the delta thresholds such that the effective threshold is the same for all 128 channels.

GOAL: Find the lowest possible threshold.

For this, we fire a large test-pulse on a selected number of channels; the test-pulse inputs of the remaining channels are masked.

The number of selected channels varies: 1, 4, 8, 16 .....

We call a threshold setting **OK** if the number of outputs that fires equals the number of channels that receives a test-pulse.

We lower the threshold step by step, until the **OK** condition fails.

At that point we increase the threshold again until the **OK** situation comes back.

This latter threshold value is labeled **stable operation**.

# test-pulse inputs enabled	Min. possible threshold for OK condition ( $\mu\text{A Itp}$ )	Min. possible threshold for stable operation ( $\mu\text{A Itp}$ )
1	42	55
2	42	55
4	42	55
8	47	55
16	47	55
32	52	55
64	55	55

- No silicon detector
- Values in table are not very precise
- Below OK condition, the chip starts to oscillate
- Switching off pre-amp or shaper stops oscillation
- Coupling via ground / substrate / Vdd

# test-pulse inputs enabled	Min. possible threshold for OK condition ( $\mu\text{A Itp}$ )	Min. possible threshold for stable operation ( $\mu\text{A Itp}$ )
1	68	68
2	68	68
4	68	68
8	71	71
16	74	74
32	103	103
64	130	130

- No silicon detector
- Values in table are not very precise
- **No oscillation observed**
- Below OK condition, all outputs fire simultaneously
- This indicates fast feedback, i.e., in the comparators
- Strong dependence on # test-pulse inputs enabled

With silicon, the lower threshold limit increases by 30 .. 40  $\mu\text{A}$  ( $I_{tp}$ )

This is expected because:

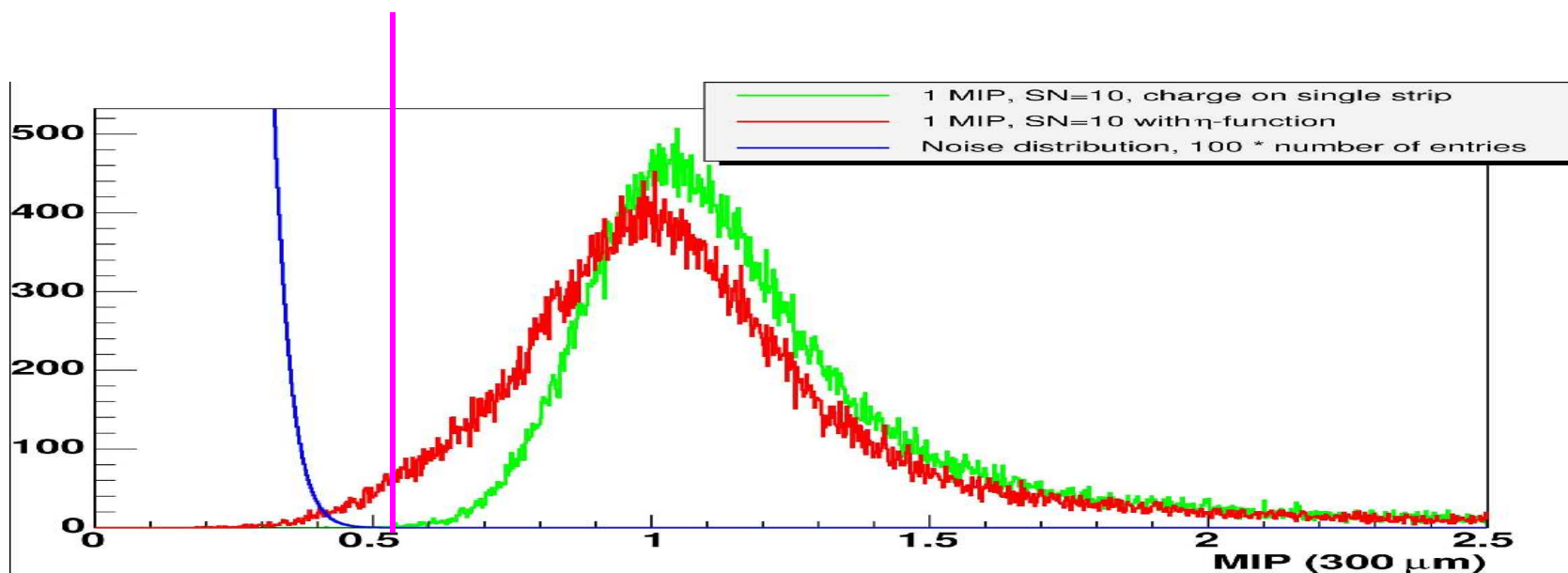
- Input capacitance **reduces peak amplitude** (in mV) of the front-end.
- The **margin** (in mV) inside the chip is **fixed**.

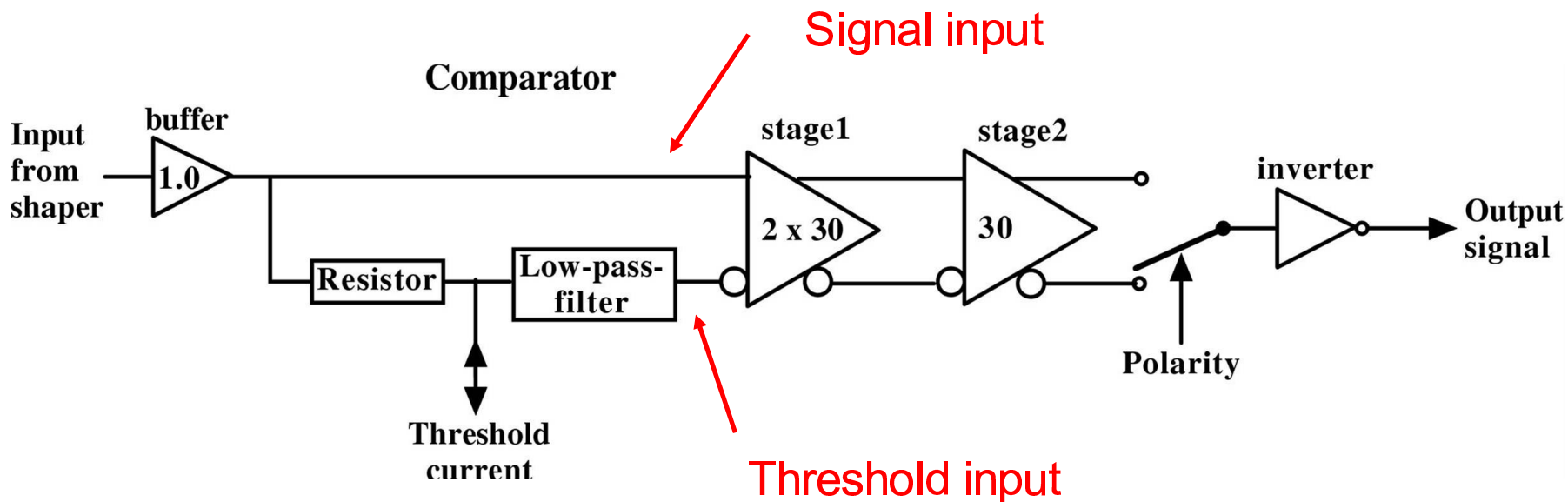
Lower threshold limit for 8 test-pulse inputs enabled ( "8 tracks" )

	Positive mode	Negative mode
No silicon	$6.1 \text{ ke}^-$	$7.8 \text{ ke}^-$
Silicon	$9.9 \text{ ke}^-$	$11.6 \text{ ke}^-$ (0.53MIP)

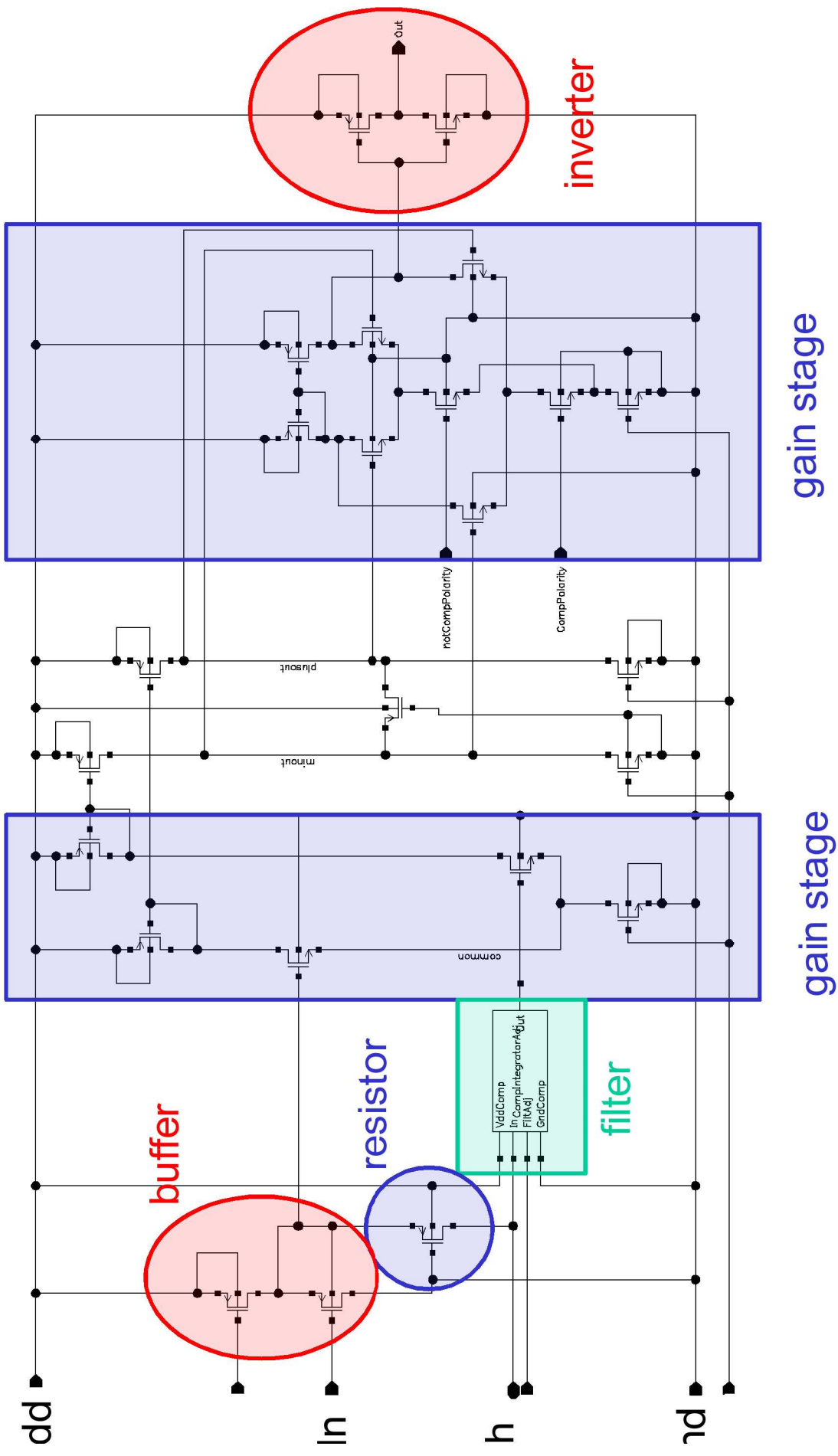
The numbers in the table are not accurate

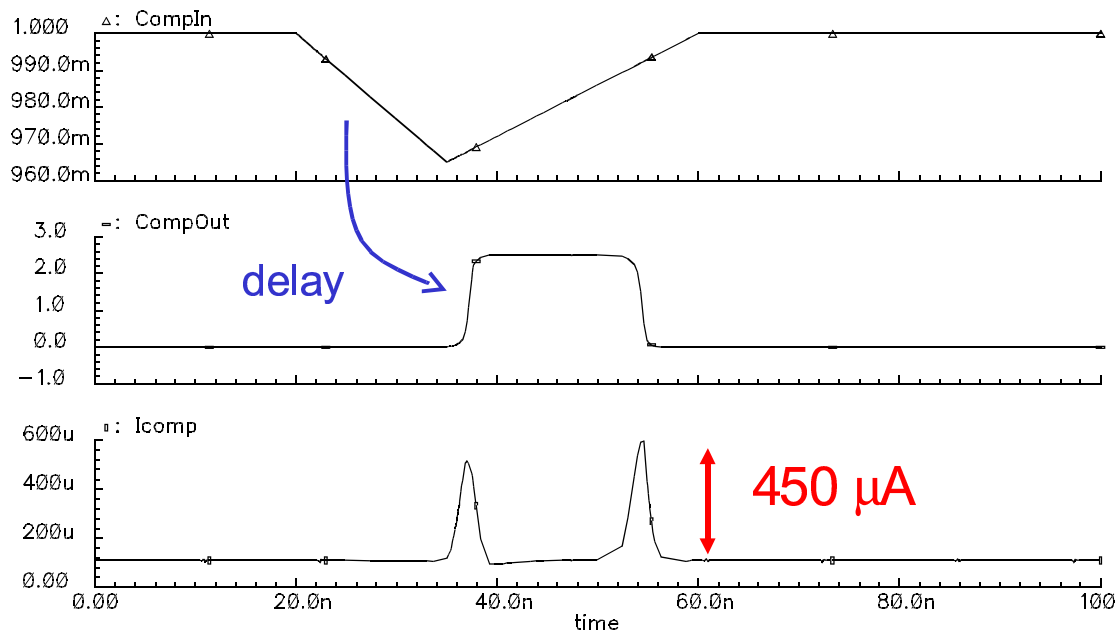
Note: a threshold of **0.53 MIP** gives 3..4 % inefficiency (no CM noise)





- The polarity mode is either: Positive (p-on-n det.) or Negative (n-on-n det.).
- The polarity of the threshold current is coupled to polarity switch.





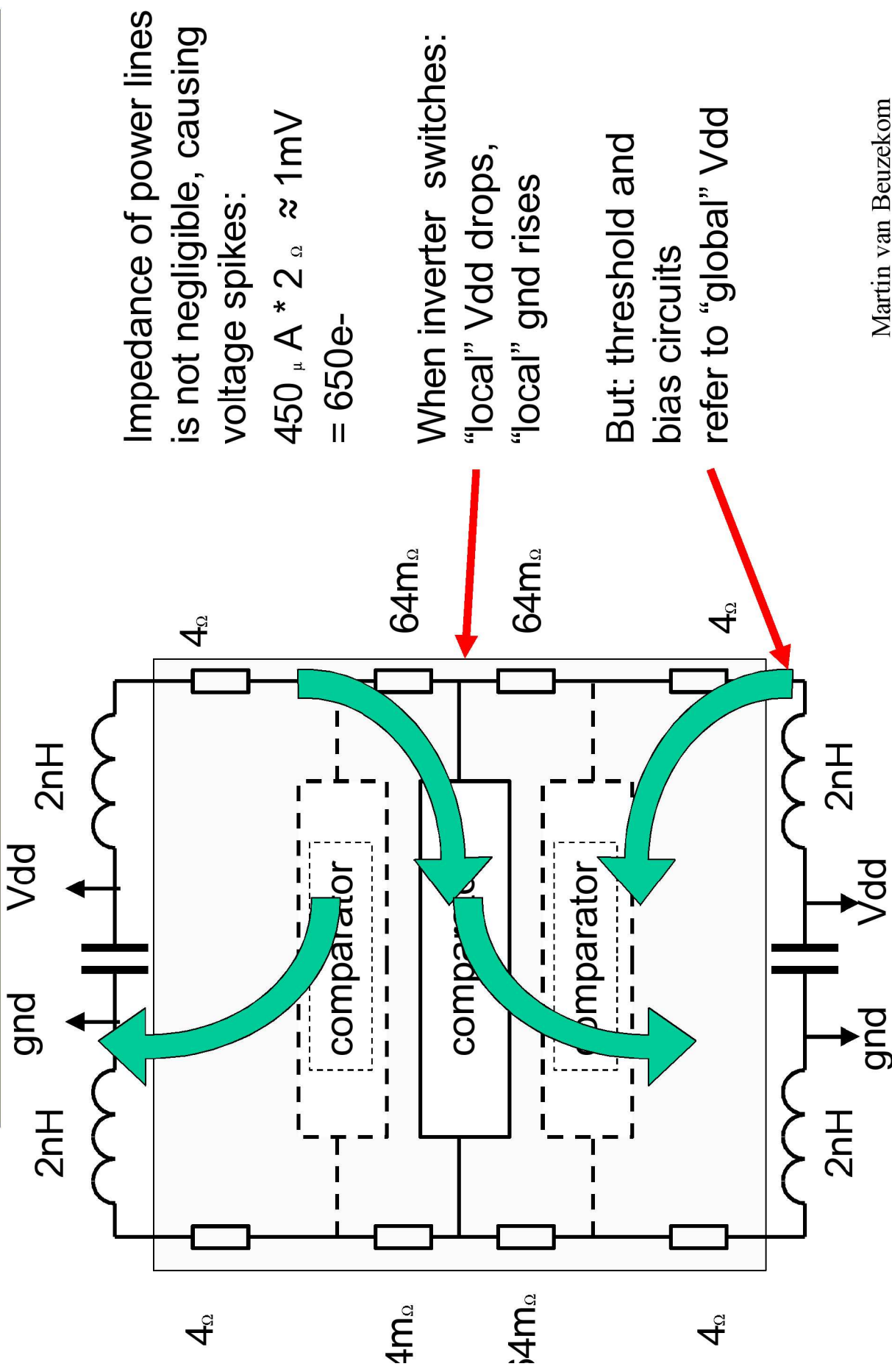
Signal input

Comparator output

Current through inverter

- Large current peaks in the power lines ( $450 \mu\text{A}$ ) when **inverter** switches.
- The current is almost equal for rising and falling edge => slow switching.
- About 1 pC of charge flows through the power line



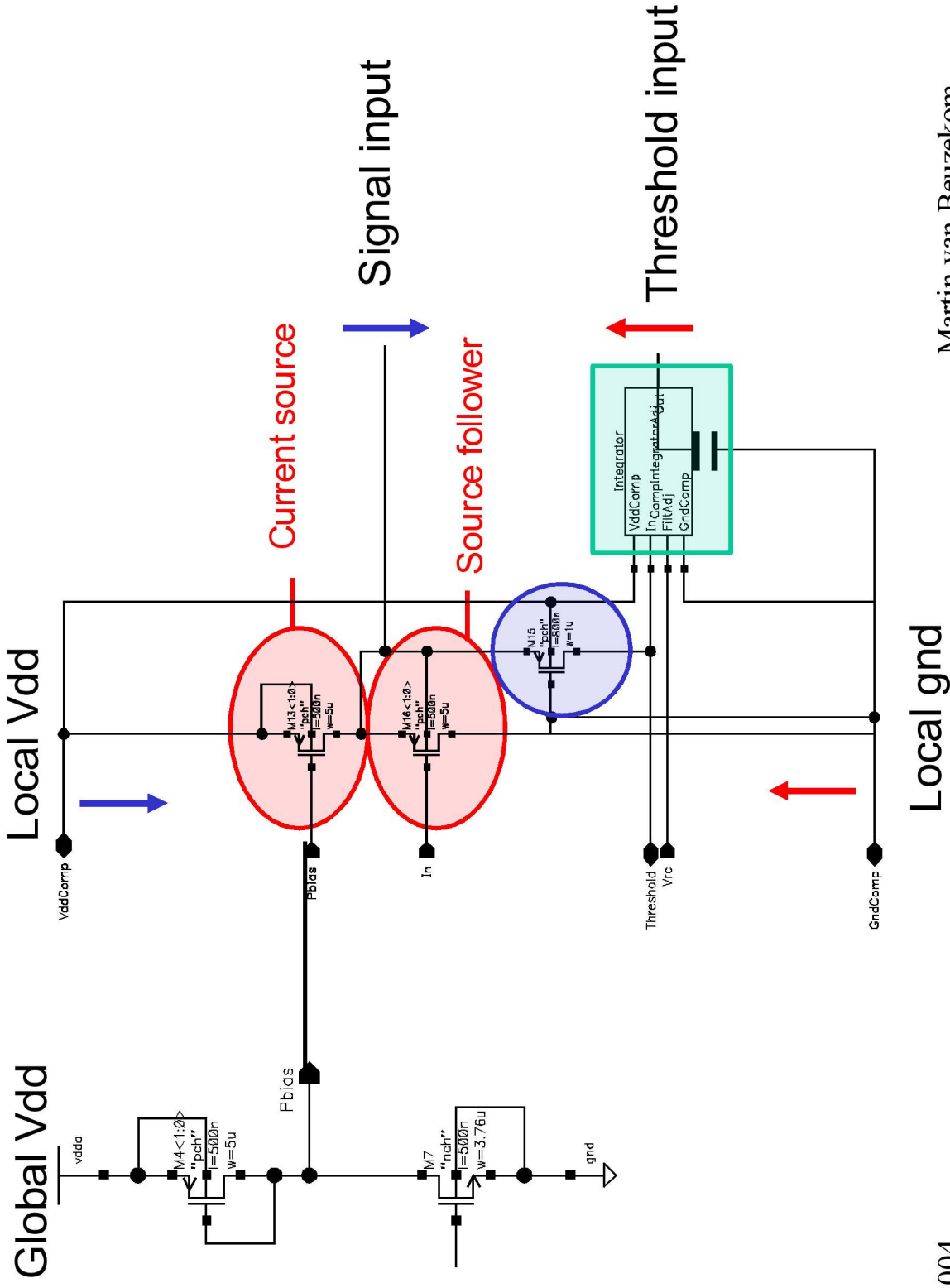


Impedance of power lines is not negligible, causing voltage spikes:

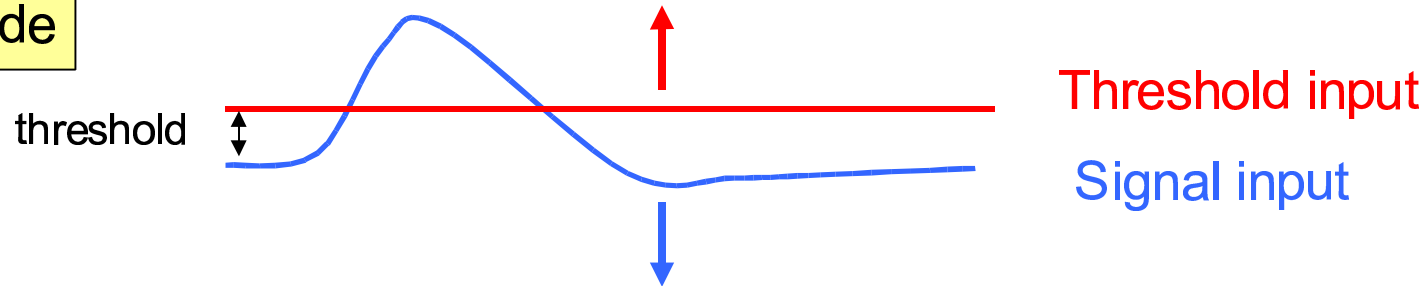
$$450\ \mu\text{A} * 2\ \Omega \approx 1\text{mV} = 650\text{e-}$$

When inverter switches: “local”  $V_{dd}$  drops, “local”  $gnd$  rises

But: threshold and bias circuits refer to “global”  $V_{dd}$

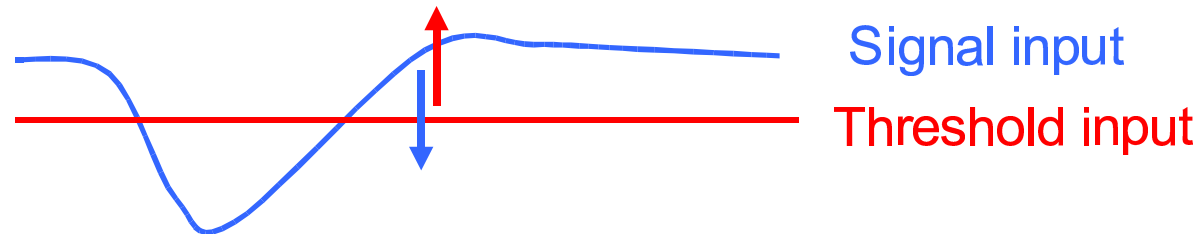


## Positive mode



- ⇒ Switching of inverter increases threshold
- ⇒ Expected: negative (no) dependence on #channels switching
- ⇒ Observed: weak positive dependence (table on sheet 10)

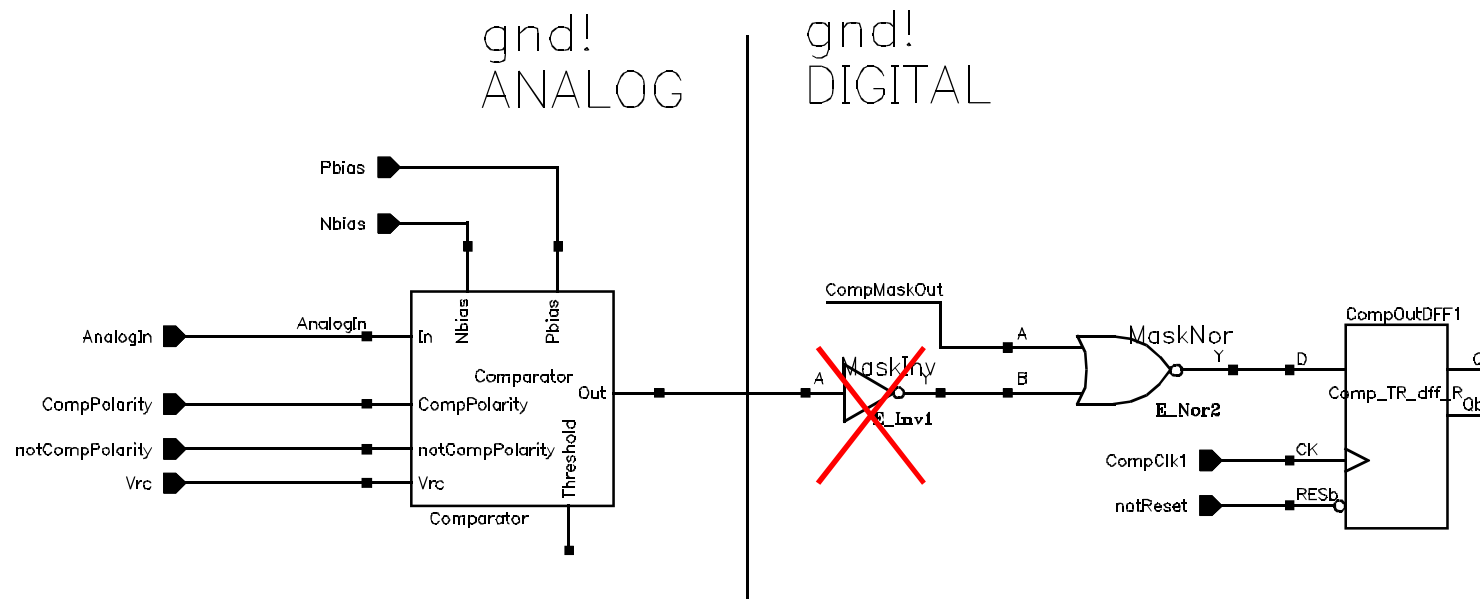
## Negative mode



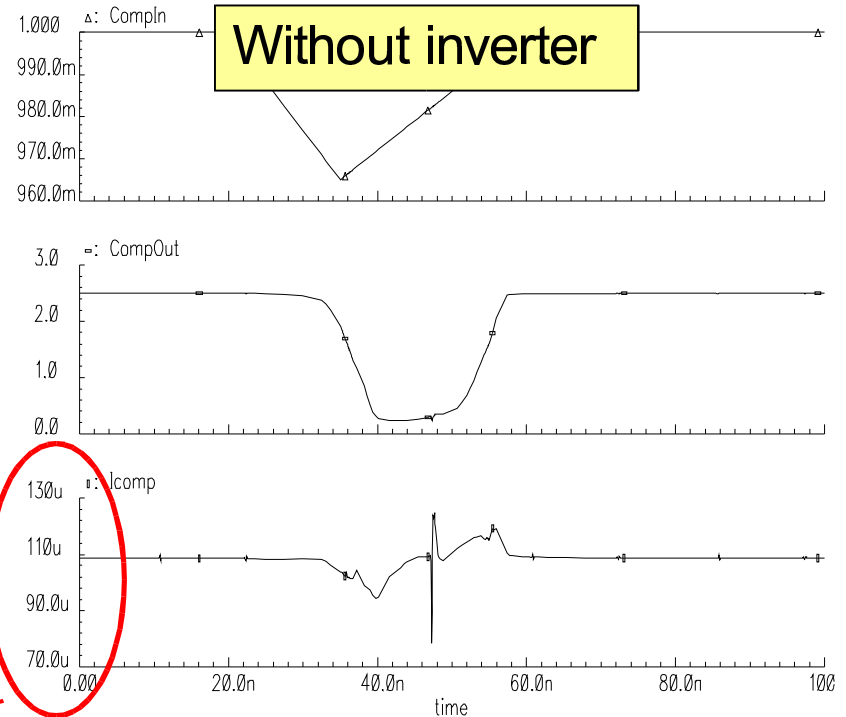
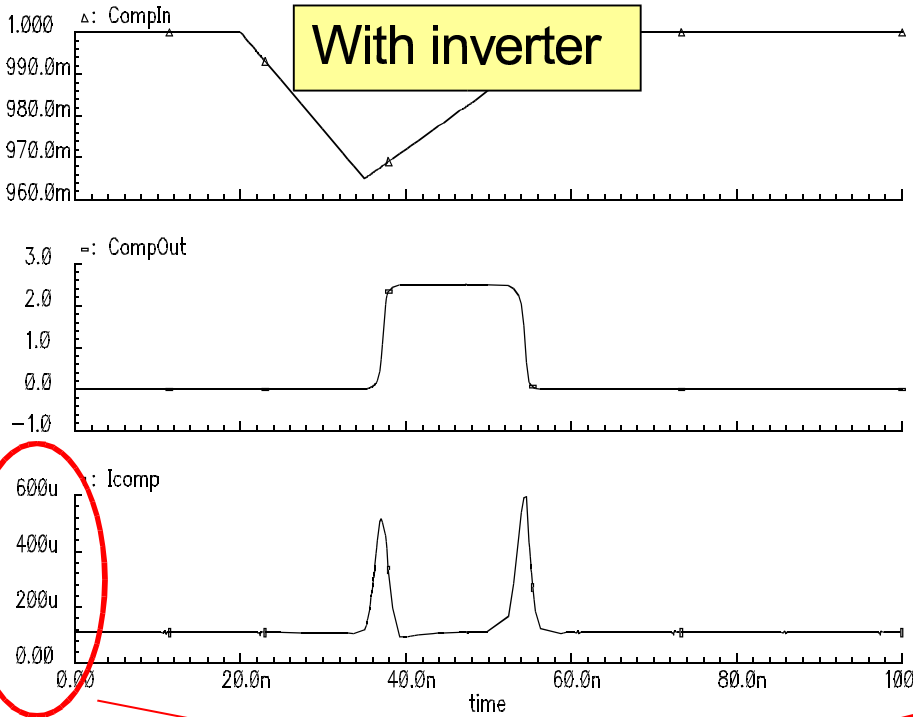
- ⇒ Switching of inverter decreases threshold
- ⇒ Expected: positive dependence on #channels switching
- ⇒ Observed: strong positive dependence (table on sheet 11)

- Observed effects cannot be explained by coupling in comparator only.
- Front-end plays a role as well.
- But: simple simulation model of noise coupling to front-end gave no consistent results

- Remove inverters from comparator **and** from logic at output



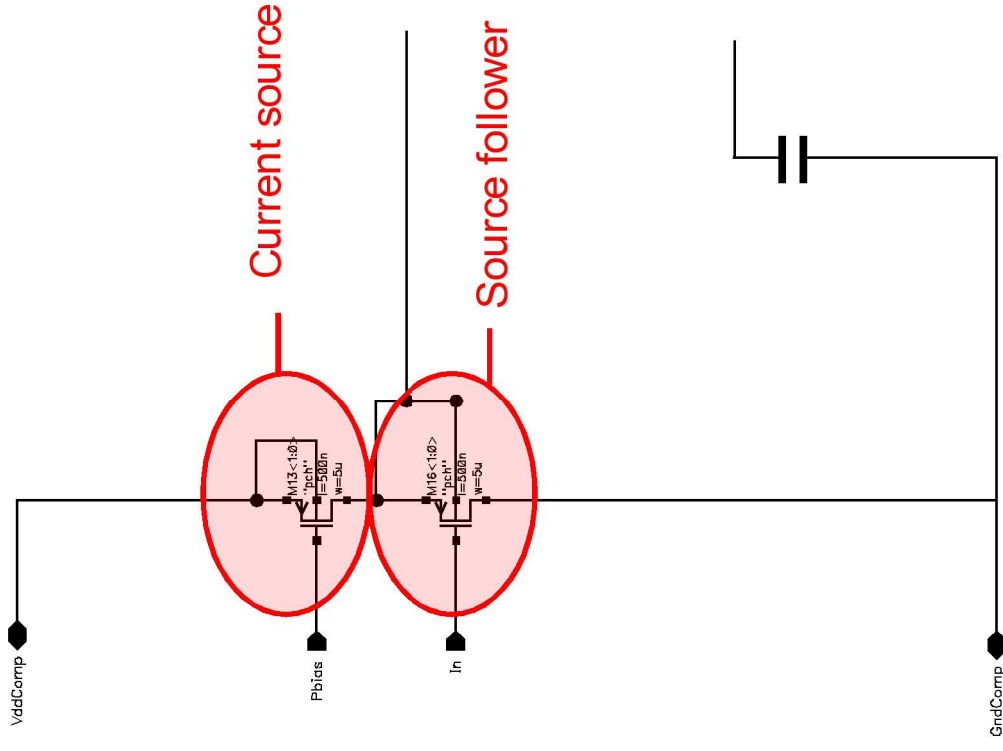
Beetle 1.3 configuration



Scales differ by factor 10

- Peak currents are strongly reduced
- Charge flowing through power lines < 70 fC

- Change dimension of source follower and current source to reduce the effect of power supply variations.



### Beetle1.3:

- ★ Functional behavior of comparator is OK
- ★ Comparator offsets are under control
- ★ Threshold step size is within specification
- ★ Use of the comparators with positive pulses (p-on-n detector) can lead to oscillations => high threshold needed.
- ★ The **lowest possible threshold** for n-on-n detectors is **too high**.

### Beetle1.4:

- Noisy inverter of comparator is removed
- Power supply sensitivity is reduced by new dimensions of input buffer
- Threshold linearity is improved



