

---

# Beetle

## Ein strahlenharter Auslesechip für LHCb

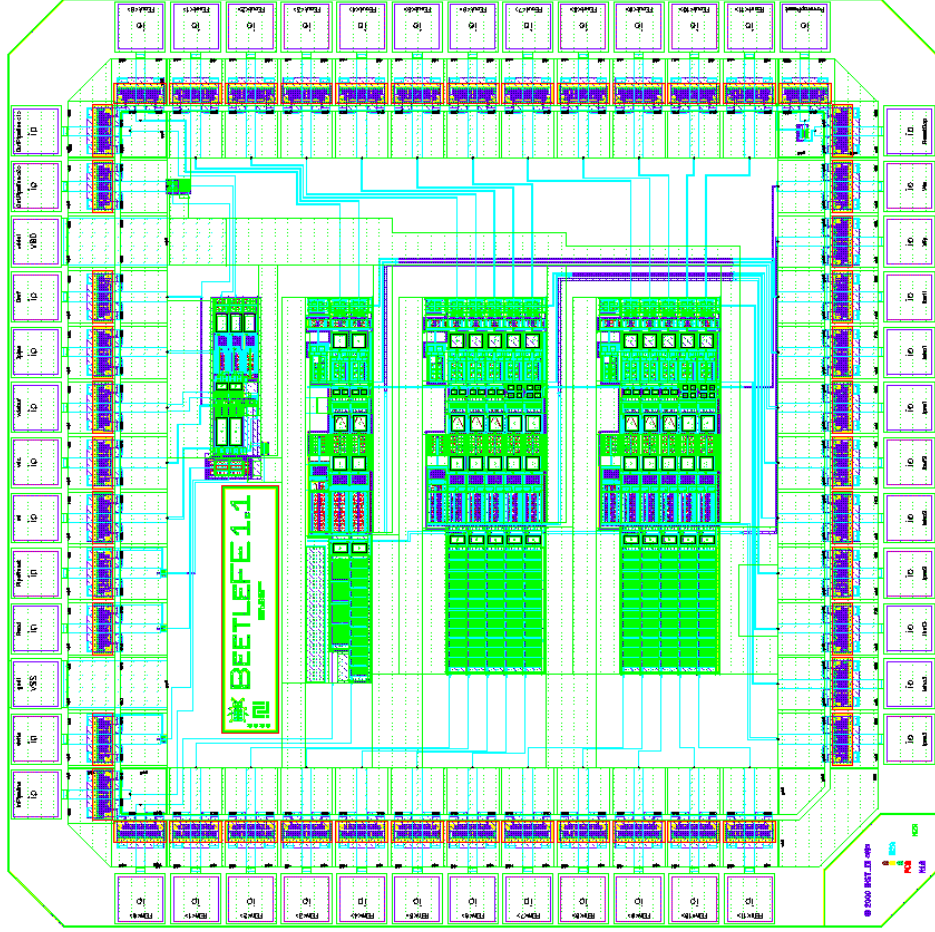
Niels van Bakel, Jo van den Brand, Hans Verkooijen  
*(NIKHEF Amsterdam)*

Daniel Baumeister, Werner Hofmann, Karl-Tasso Knöpfle,  
Sven Löchner, Michael Schmelling, Edgar Sexauer, Ulrich Trunk  
*(Max-Planck-Institut für Kernphysik, Heidelberg)*

Martin Feuerstack-Raible, Josef Schweda  
*(Universität Heidelberg)*

Neville Harnew, Nigel Smale  
*(University of Oxford)*

# BeetleFE 1.1



*(teststructure pipeamp Beetle 1.1)*

**Set 1 (A..B)**  
nmos

**A = BeetleFE 1.0 Set 4**  
**B = Beetle 1.0 / 1.1**

**new bias**    **A = Beetle 1.0 / 1.1**  
**B..C = mod. Preamp**  
**D..E = mod. Shaper**

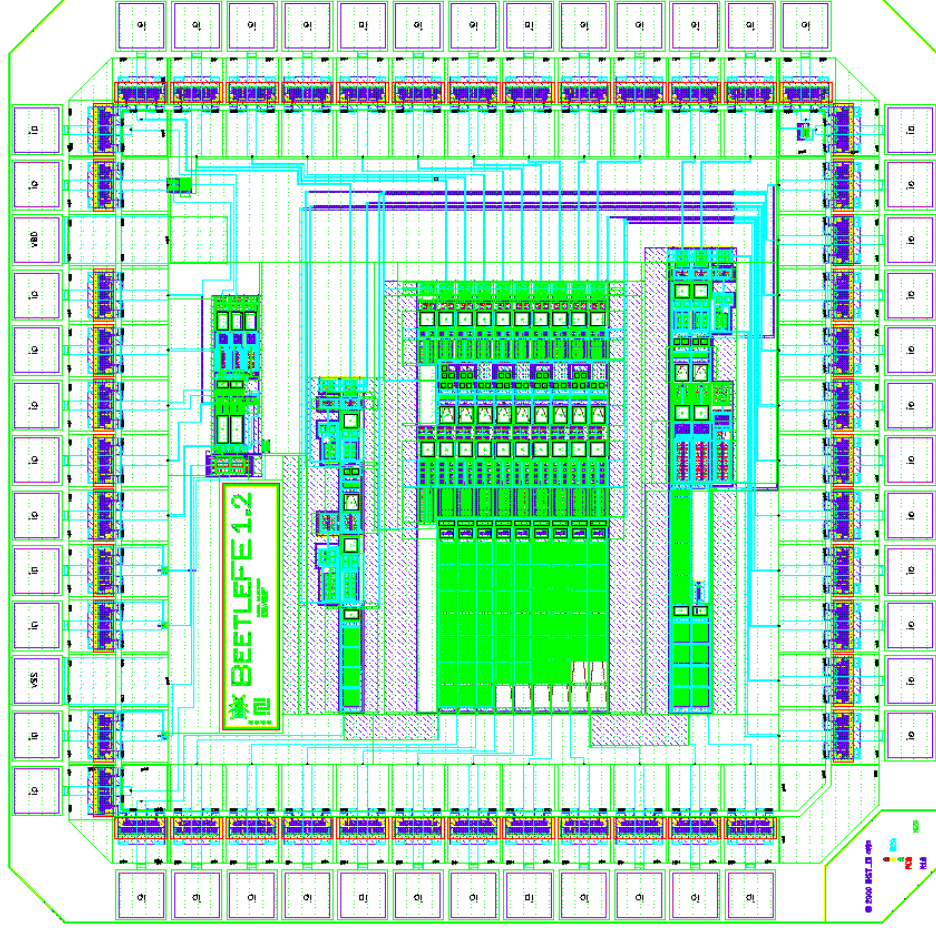
**Set 2 (A..E)**  
nmos

**new bias**    **A = Beetle 1.0 / 1.1**  
**B..C = mod. Preamp**  
**D..E = mod. Shaper**

**Set 3 (A..E)**  
nmos

*(reset teststructure)*

# BeetleFE 1.2



**Set 2 (1)**  
pmos

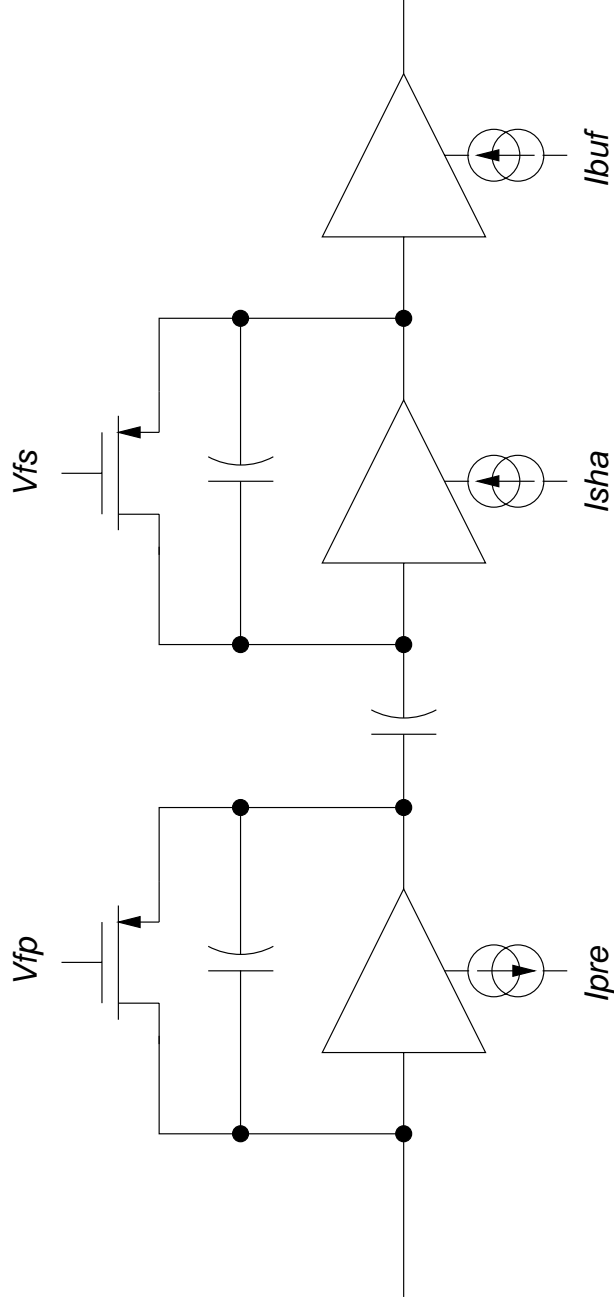
**1 = BeetleFE 1.0 Set 2**

**Set 5 (1..9)**  
pmos

**1..3 = Preamp (Waffle), diff. Shaper**  
**4..5 = Preamp (Waffle), diff. Shaper**  
**6..7 = Preamp (enclosed), diff. Shaper**  
**8..9 = Preamp (Waffle), diff. Shaper**

**Set 6 (1..2)**  
nmos

**1 = Beetle 1.0 / 1.1 with nmos feedback**  
**2 = Beetle 1.0 / 1.1**



**preamplifier**

**shaper**

**buffer**