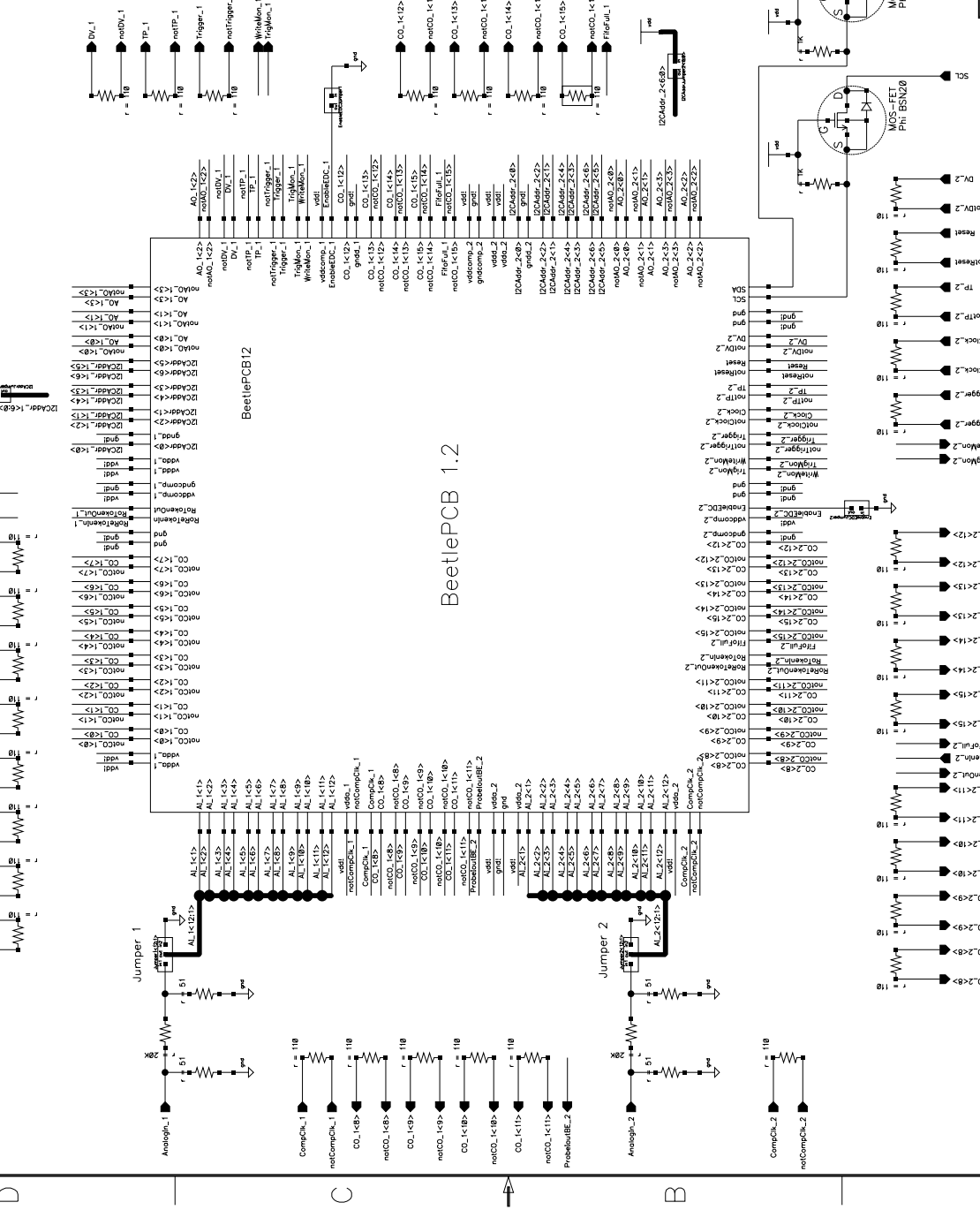
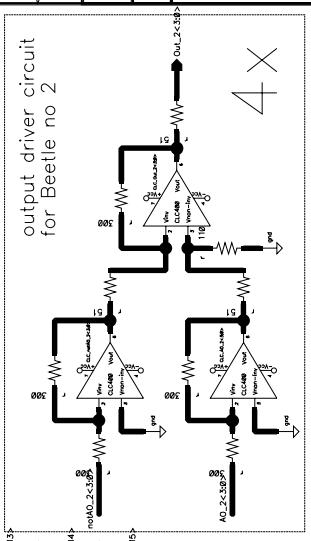
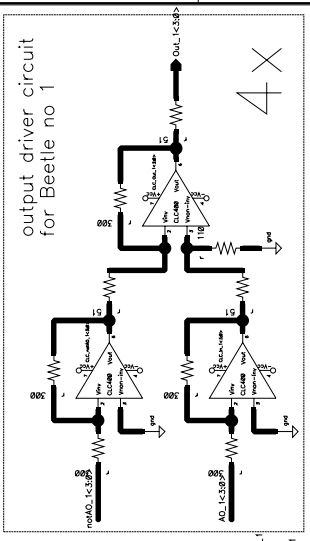


ZONE	REV	DESCRIPTION	DATE	APPROVED



REV	DESCRIPTION	DATE	APPROVED

ASIC Lab. Heidelberg  
motherboard  
Beetle 1.2

Apr 8 11:22:40 2003  
DRAWN Sven Loechner  
CHECKED  
ISSUED

SIZE C  
CAGE NO. 00000000  
DWG NO. Ver 1.0  
SHEET OF